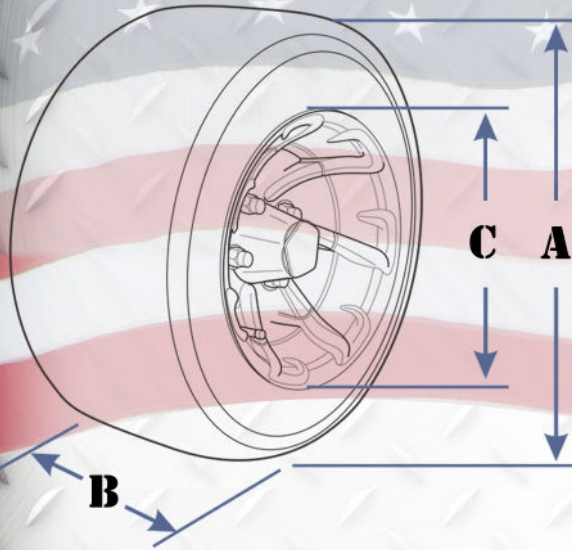




TIRE PURCHASING GUIDELINES



GOLF CART TIRE SIZE DESIGNATION USING ASPECT RATIO

205/50-10

205 = APPROXIMATE CROSS SECTION WIDTH IN MILLIMETERS

50 = ASPECT RATIO (HEIGHT TO WIDTH)

10 = RIM DIAMETER IN INCHES

GOLF CART TIRE SIZE DESIGNATION USING INCHES

23X10.5-12

23 = APPROXIMATE DIAMETER IN INCHES

10.5 = APPROXIMATE CROSS SECTION WIDTH IN INCHES

12 = RIM DIAMETER IN INCHES

CATEGORY	TIRES	A	B	C
ALL TERRAIN TIRE	22"X11"-10"	22"	11"	10"
	23"X10.5"-12"	23"	10.5"	12"
	22"X11"-8"	22"	11"	8"
	20"X10"-10"	20"	10"	10"
	23"X10"-14"	23"	10"	14"
	20"X10"-12"	20"	10"	12"
	23"X10"-15"	23"	10"	15"
	18"X8.5"-12"	18"	8.5"	12"
	18"X9"-10"	18"	9"	10"
TURF TIRE	20"X8"-10"	20"	8"	10"
	18"X8.5"-8"	18"	8.5"	8"
	23"X10.5"-12"	23"	10.5"	12"
	22"X9.5"-10"	22"	9.5"	10"
MUD TIRE	22"X11"-12"	22"	11"	12"
STINGER	20"X10"-12"	20"	10"	12"
	22"X10.5"-12"	22"	10.5"	12"
	18"X9"-10"	18"	9"	10"
	20"X8.5"-14"	20"	8.5"	14"
LOW PROFILE	205/65-10	20"	8"	10"
	215/50-12	20"	8.5"	12"
	205/30-14	19"	8"	14"
	215/40-12	19"	8.5"	12"
	205/50-10	18"	8"	10"

TURF TIRE



18"x8.5"-8"



20"x8"-10"



22"x9.5"-10"



23"x10.5"-12"

LOW PROFILE



205/65-10



205/50-10



215/40-12



215/50-12



205/30-14

ALL TERRAIN TIRE



22"x11"-8"



18"x9"-10"



20"x10"-10"



22"x11"-10"



18"x8.5"-12"



20"x10"-12"



23"x10.5"-12"



23"x10"-14"



23"x10"-15"

STINGER



18"x9"-10"



20"x10"-12"



22"x10.5"-12"



20"x8.5"-14"

MUD TIRE



22"x11"-12"