

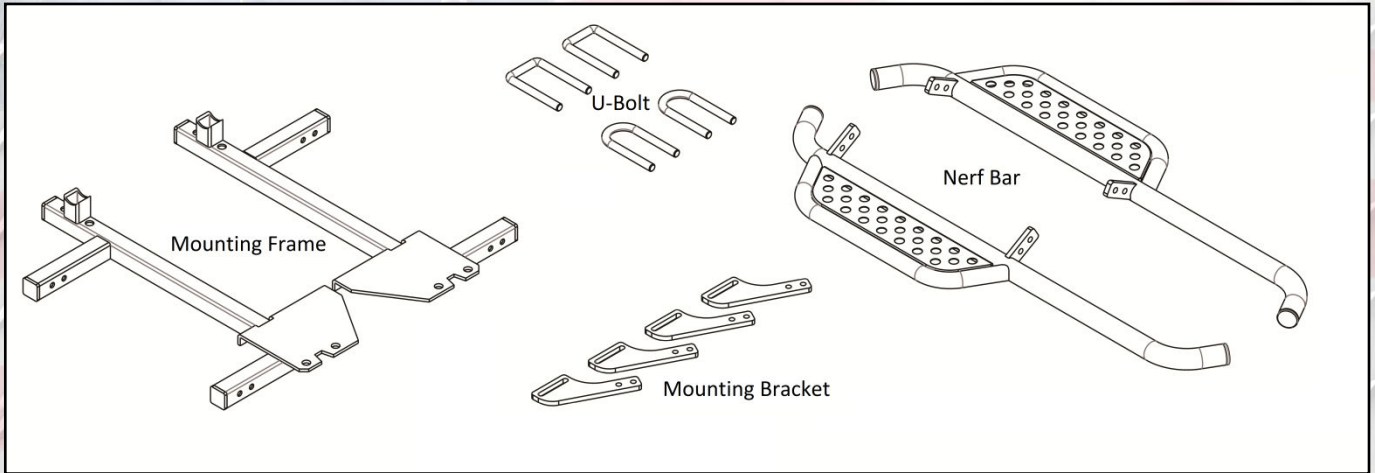


# Nerf Bar

## Fits Club Car DS

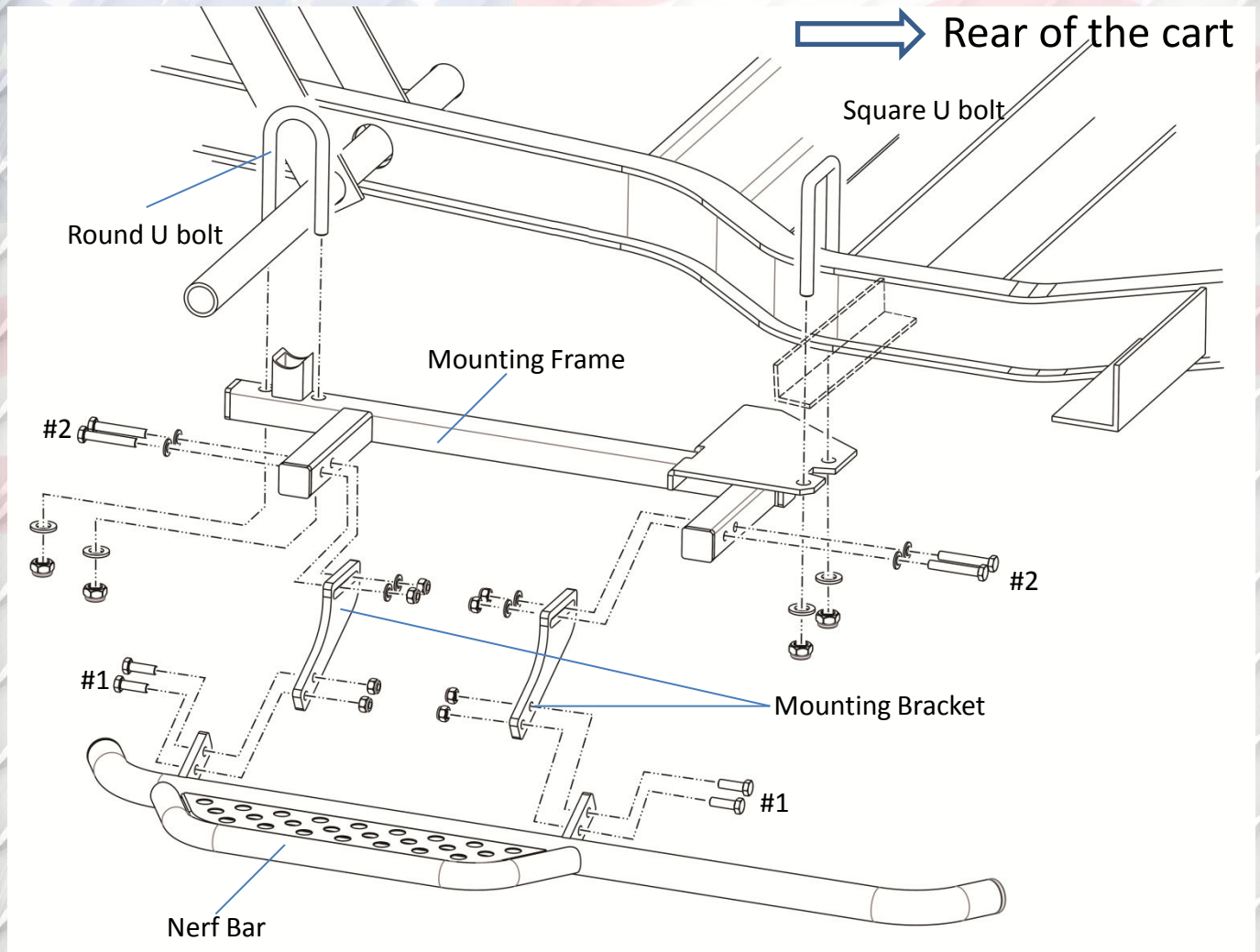
# NERF BAR INSTRUCTIONS

## Club Car DS



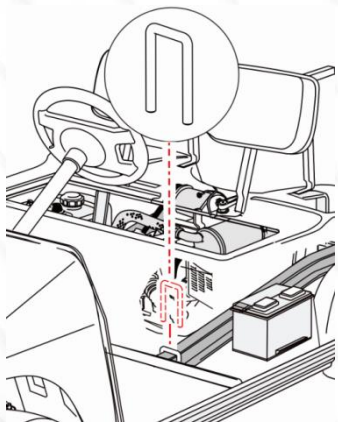
Bag#	Application	Hardware	Qty
1	Nerf Bar to Mounting Bracket	Hex Bolt M8*25	8
		Lock Nut M8	8
2	Mounting Bracket to Mounting Frame	Hex Bolt M8*50	8
		Flat Washer M8	16
		Lock Nut M8	8
3	Mounting Frame to Cart	U Bolt (Square)	2
		U Bolt (Round)	2
		Lock Nut M12	8
		Flat Washer M12	8

## NERF BAR INSTRUCTIONS Club Car DS



Don't fasten any bolt during the installation until last step when nerf bar is levelled.

1. Attach mounting frame to cart using provided U bolt #3.
2. Attach mounting bracket to mounting frame using hardware #2.
3. Attach nerf bar to mounting bracket using hardware #1. Level the nerf bar. Fasten all the bolts. Repeat on the other side.



### Tips:

When installing square U bolt on rear of nerf bar, it is suggested you flip over the bottom cushion then the bolt goes all the way down to mount location.

