

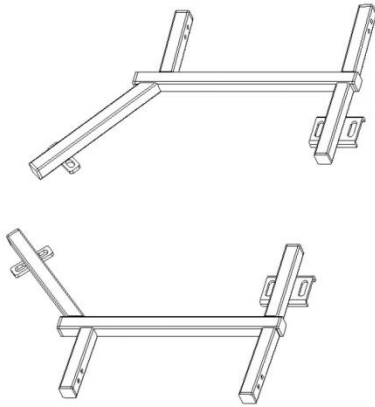


Nerf Bar

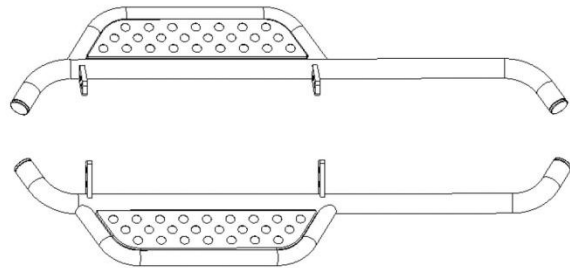
FITS Yamaha G29

NERF BAR INSTRUCTIONS

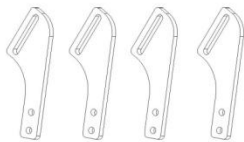
Yamaha G29



Mounting Frame



Nerf Bar



Mounting Bracket

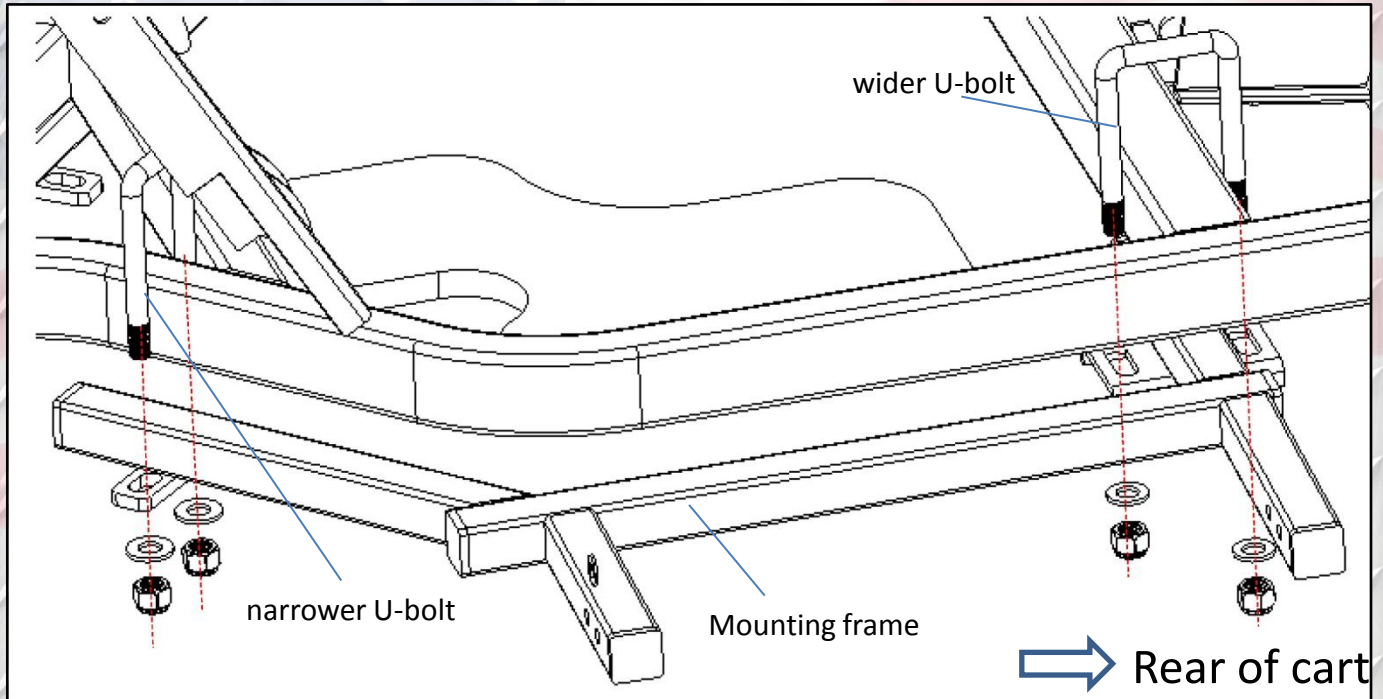


U Bolt

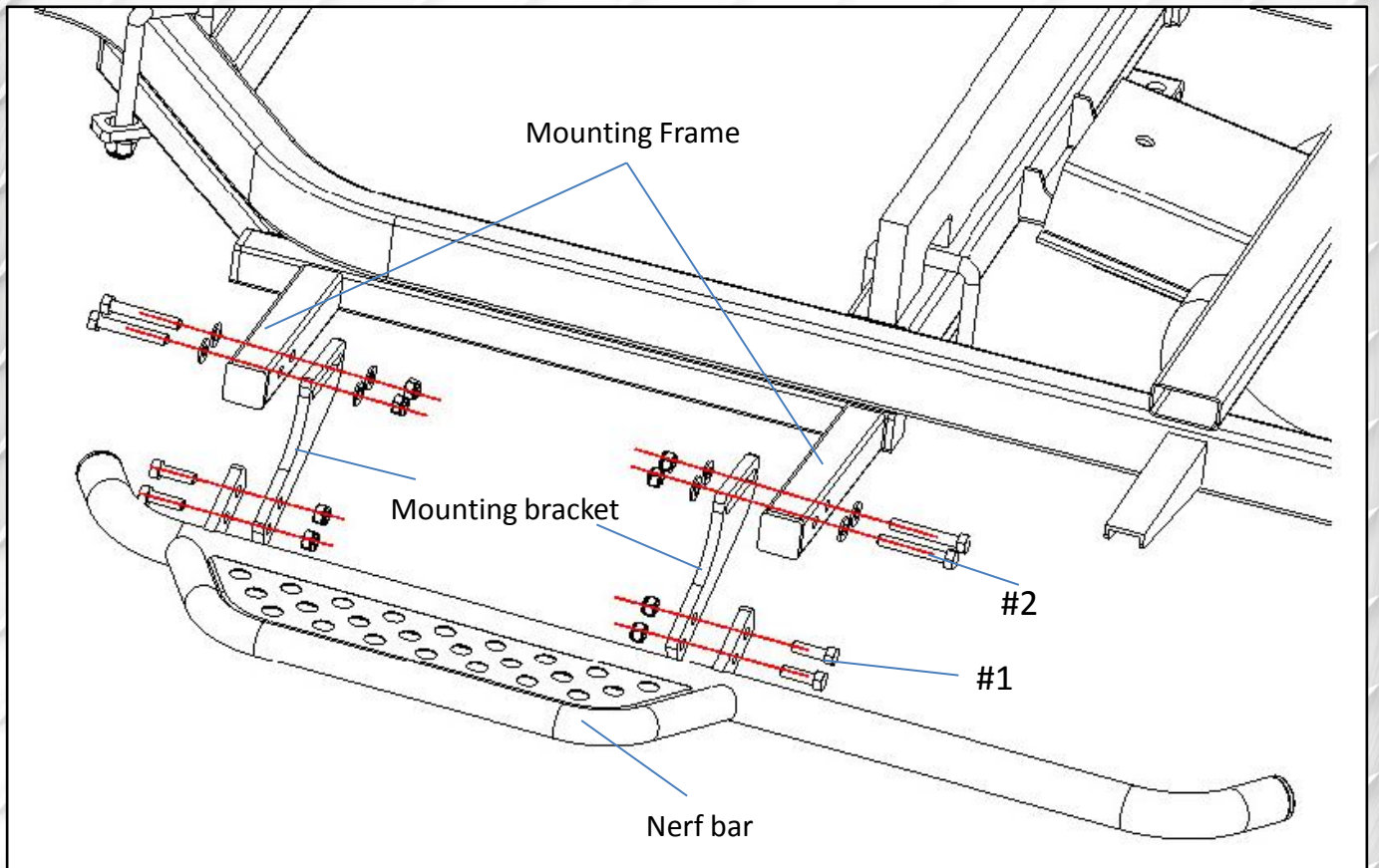
Bag#	Application	Hardware	Qty
1	Nerf Bar to Mounting Bracket	Hex Bolt M8*25	8
		Lock Nut M8	8
2	Mounting Bracket to Mounting Frame	Hex Bolt M8*50	8
		Flat Washer M8	16
		Lock Nut M8	8
3	Mounting Frame to Cart	U Bolt M12*118	2
		U Bolt M12*116	2
		Lock Nut M12	8
		Flat Washer M12	8

NERF BAR INSTRUCTIONS

Yamaha G29



1. Install mounting frame to cart frame using supplied U Bolts.



2. Install mounting bracket to nerf bar using hardware #1. Then install mounting bracket to mounting frame using hardware #2. Don't tighten until the nerf bar is level.

